

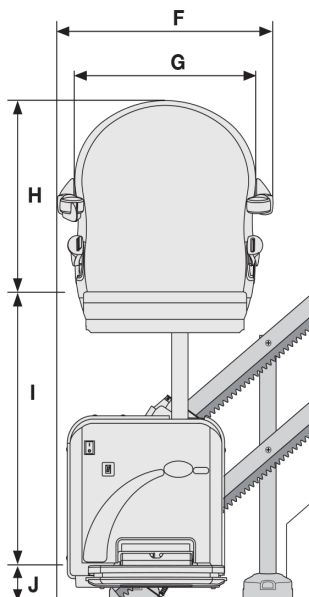
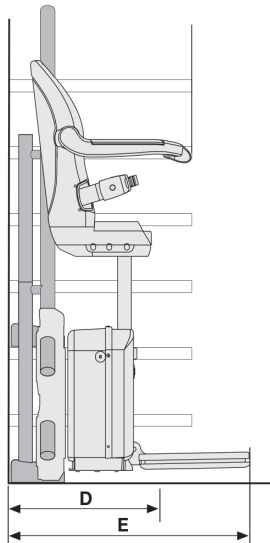
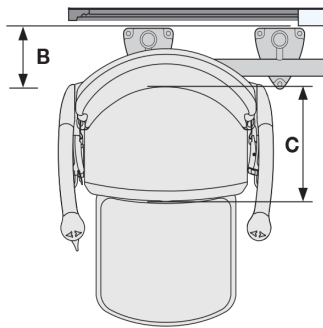


Handicare 2000 Perch

Twin rail curved stairlifts

Handicare 2000 Perch

Twin rail curved stairlifts



Perch seat		Dimensions
A	Minimum swivel radius*	-
B	Wall to inner seat back	5.11in
C	Seat depth	12.59in
D	Minimum folded width to footplate	16.14in
E	Minimum open width to edge footplate	26.53in
F	Armrest width – external	21.65in
G	Armrest width – internal	18.30in
H	Seat back height	17.91in
I	Footplate to seat height	25.59-34.44in
J	Minimum footplate height	2.75in
Minimum track intrusion into staircase		4.56in
Maximum weight limit		250lbs
Speed		0.12m/sec
Maximum staircase angle		56°

*Fixed seat

Some of the above dimensions depend on the characteristics of the staircase in the home. Please consult the sales manual for further information about these dimensions and features of this seat. All information is provided in good faith but does not constitute a guarantee. Handicare reserves the right to alter designs and specifications without prior notice.

HANDICARE
10888 Metro Court
St. Louis, MO 63043
866.891.6502
handicareusa.com